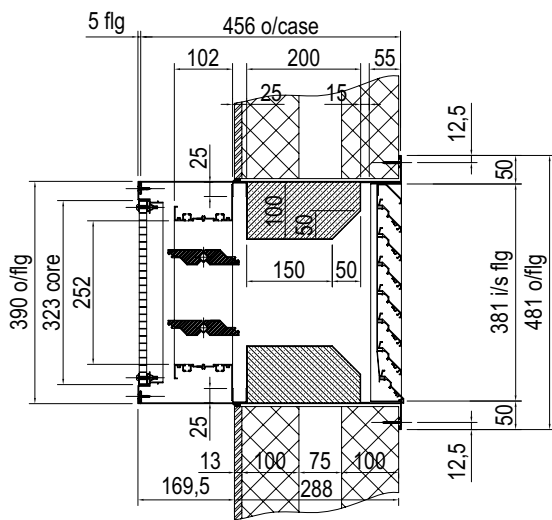


Case Study:

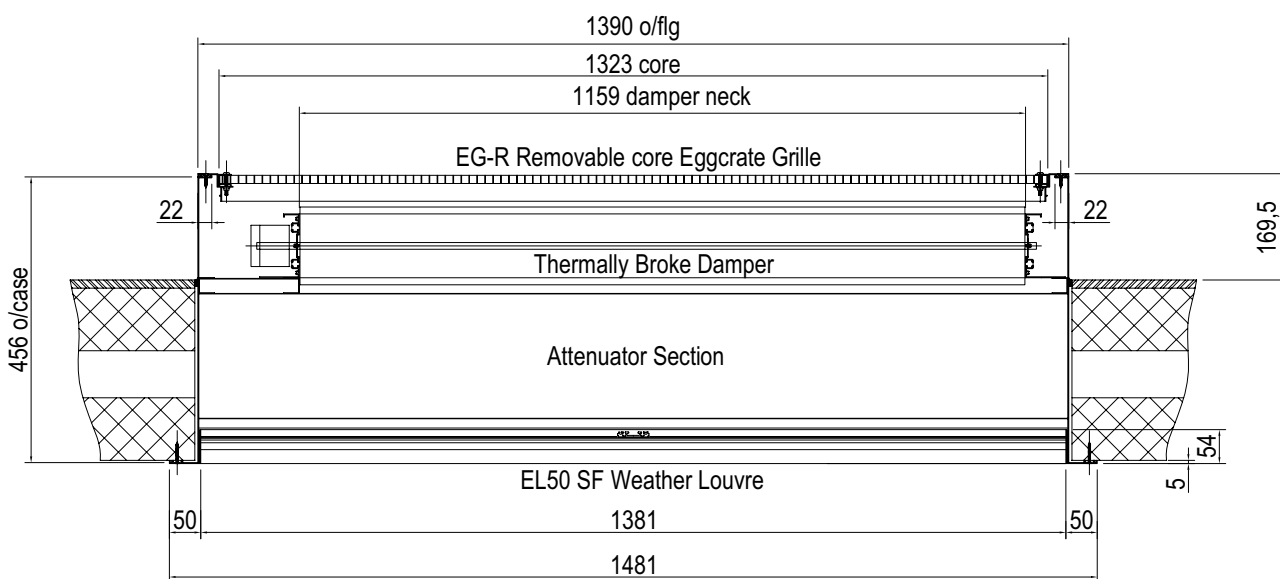
Alban Middle School

Brief: To provide high and low level insulated wall unit complete with attenuation for cross flow ventilation.

Design: An insulated one piece Motorised Damper complete with 50% free area Pod type Attenuator. A powder coated cover case was also used.



Sectional End Elevation



Sectional Plan View