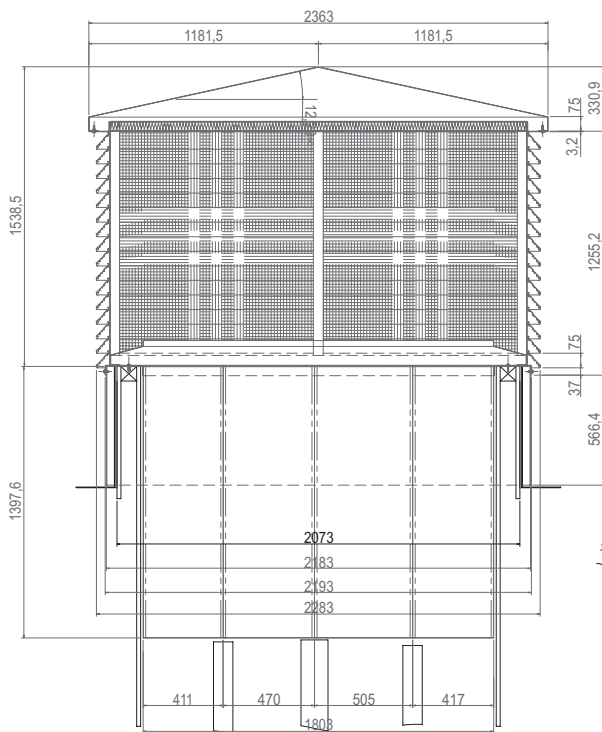


Case Study:

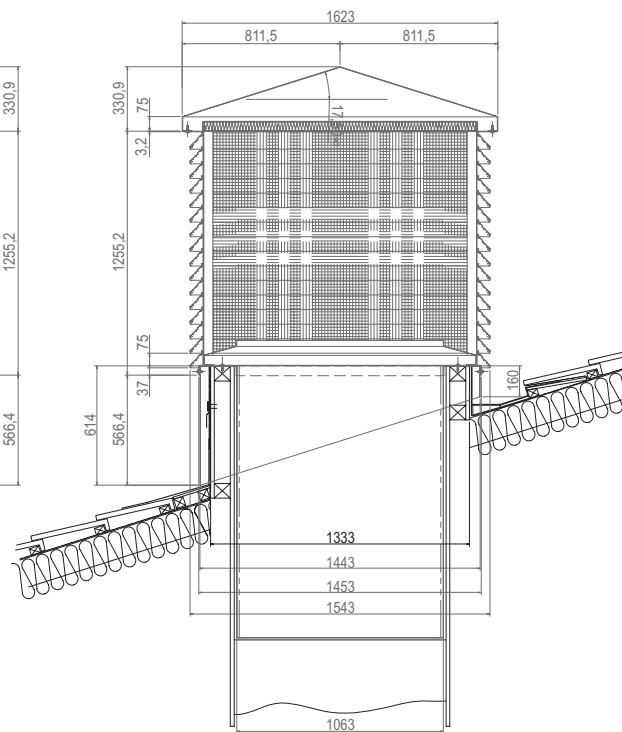
Didcott Girls School

Brief: To design a passive cowl.

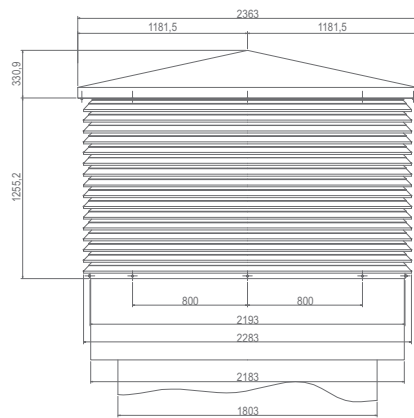
Design: Each passive terminal deals with 4 classrooms and is fitted with multi section insulated Dampers and Attenuators to stop crosstalk from 4 classrooms privacy.



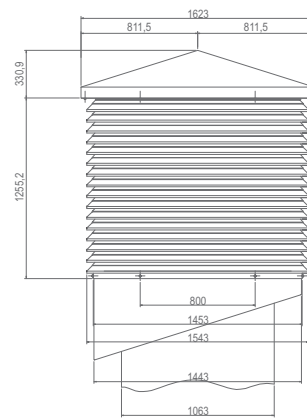
Sectional Elevation



Sectional End Elevation



Elevation



End Elevation